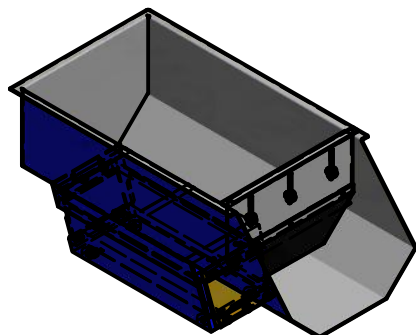
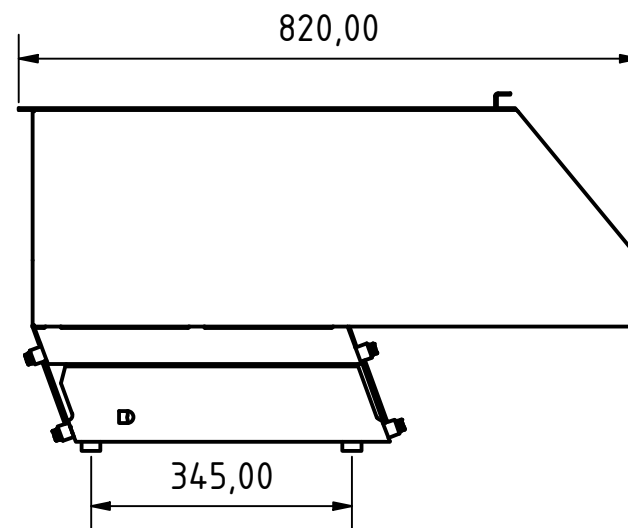
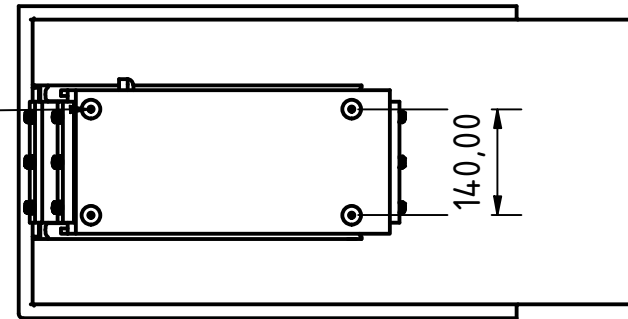


Ø6,00 M6



| | | | | | |
|-------------|---|------------------|--------|---------------------------|--|
| | | | | Altec | |
| | | | | Bunker KF12 - 50 Liter | |
| AW Breite | - | Date | Name | | |
| AW Länge | - | Drawn | User | | |
| | | Checked | Ladwig | | |
| | | Standard | Lück | | |
| Länge | | | | | |
| Breite | | | | | |
| Höhe | | nicht tolerierte | | Allgemein | |
| Durchmesser | | Maße ±0,05 mm | | | |
| | | | | 1 | |
| | | | | A4 | |